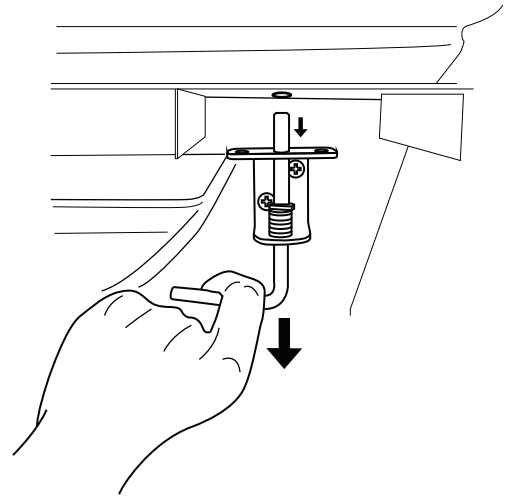
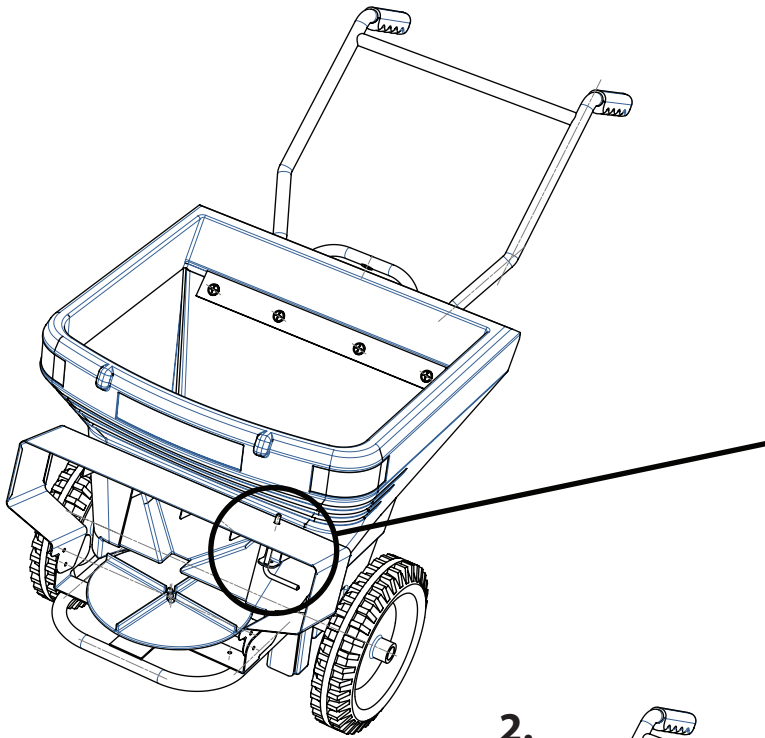


TURBOCAST 300

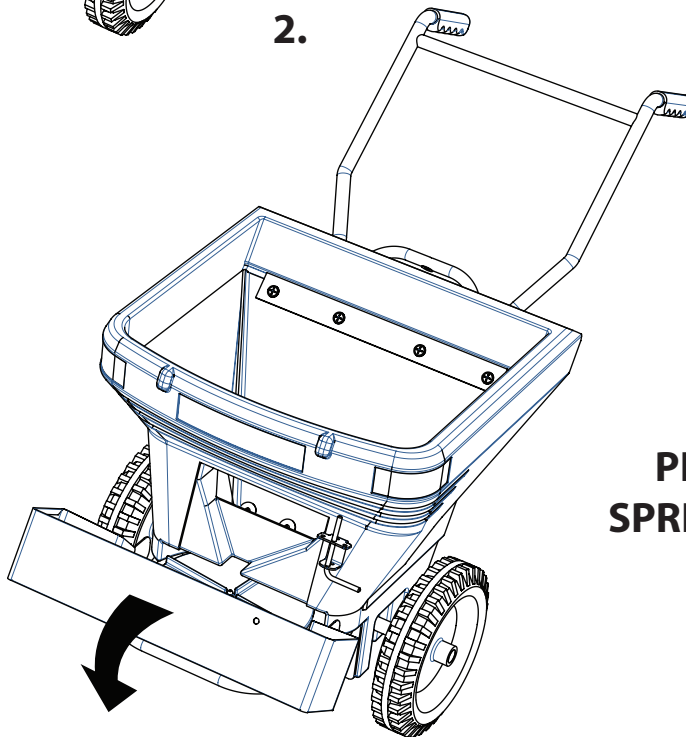
DROP SPREADER INSTRUCTION MANUAL

1.



**PULL HANDLE TO
RELEASE HOLDING PIN**


2.



**PIVOT DROP
SPREADER DOWN**

IMPORTANT NOTE: PLEASE ENSURE THAT ALL RELEVANT PERSONNEL READ THE POINTS LISTED WITHIN THIS LEAFLET AND THAT A COPY IS GIVEN TO STAFF INVOLVED WITH THE INSTALLATION AND MAINTENANCE OF THIS PRODUCT.

SAFETY NOTE: PLEASE REFER TO 'THE MANUAL HANDLING OPERATIONS REGULATIONS 1992' DURING HANDLING.

 **Glasdon** AND TURBOCAST ARE TRADEMARKS OF GLASDON GROUP OR ITS SUBSIDIARIES IN THE U.K. AND OTHER COUNTRIES

- A planned maintenance schedule of regular inspection is recommended, replacing components as necessary.
- Replacement components are available direct from GLASDON.
- GLASDON Inc cannot be held responsible for claims arising from incorrect installation, unauthorized modifications or misuse of the product.

14B029-78 Issue 1 June 2015 C000/0481
© Copyright June 2015
Glasdon reserve the right to alter specifications without prior notice.

 **Glasdon**
Glasdon U.K Limited

Preston New Road
BLACKPOOL
Lancashire FY4 4UL
Tel: 01253 600410
Fax: 01253 792558
email: sales@glasdon-uk.co.uk
web: www.glasdon.com